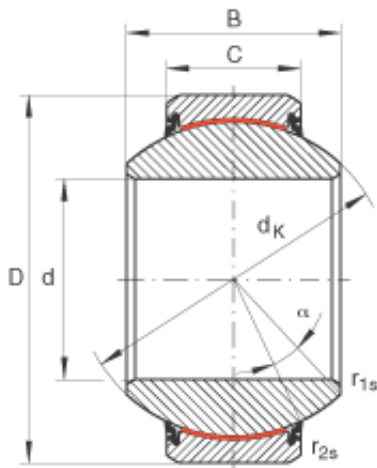




NTK BEARING CORP. OF CANADA LTD.



INA GE240-FW-2RS Spherical Plain Bearings

Bearing No. GE240-FW-2RS

GE240-FW-2RS Bearing 2D drawings and 3D CAD models

Size	240x370x190 mm
Bore Diameter	240 mm
Outer Diameter	370 mm
Width	190 mm
C	110 mm
$D_{a \min}$	319 mm
$d_{a \max}$	263,6 mm
d_K	325 mm
$r_{1s \min}$	1,1 mm
$r_{2s \min}$	1,1 mm
alf (°)	15
Weight (kg)	64
C_r (N)	8580000
C_{Or} (N)	14300000
Category	Spherical Plain Bearings - Radial
Inventory	0.0
Manufacturer Name	SCHAEFFLER GROUP
Minimum Buy Quantity	N/A
Weight / Kilogram	77.836
Product Group	B04264
Self Aligning	Yes
Rolling Element	Spherical Plain
Material - Outer Member	Steel
Material - Ball	Steel
Material - Liner	Teflon



NTK BEARING CORP.OF CANADA LTD.

Relubricatable	No
Enclosure	2 Seals
Other Features	2 Piece Wide Inner Ring Larger Tilt Angle
Long Description	240MM Bore; 110MM Housing Width; 370MM Outside Diameter; Spherical Plain; Steel Outer Member; Steel Ball; Teflon Liner; 190MM Overall Width; Not Relubricatable
Inch - Metric	Metric
Category	Plain Bearings Spherical Radial
UNSPSC	31171515
Harmonized Tariff Code	8483.30.80.70
Noun	Bearing
Keyword 3	Spherical
Keyword String	Plain Spherical Radial
Manufacturer URL	http://www.ina.com
Manufacturer Item Number	GE240FW2RS
Weight / LBS	141.12
Bore	9.449 Inch 240 Millimeter
Outside Diameter	14.567 Inch 370 Millimeter
Overall Width	7.48 Inch 190 Millimeter
Housing Width	4.331 Inch 110 Millimeter