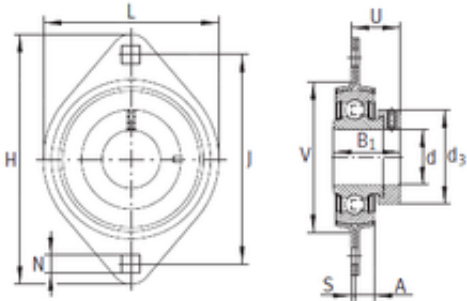




NTK BEARING CORP. OF CANADA LTD.

INA RAT20 Flange-Mount Ball Bearing Units



RAT20 Bearing 2D drawings and 3D CAD models

Bearing No. RAT20

Bore Diameter	20 mm
d	20 mm
V	55 mm
U	25,5 mm
d3	33 mm
A	8 mm
B1	31 mm
H	90,5 mm
J	71,5 mm
L	66 mm
N	8,7 mm
S	2 mm
Category	Flange Block Bearings
Inventory	0.0
Manufacturer Name	SCHAEFFLER GROUP
Minimum Buy Quantity	N/A
Weight / Kilogram	0.27
Product Group	M06110
Number of Mounting Holes	2
Mounting Method	Eccentric Collar
Housing Style	2 Bolt Flange Block
Rolling Element	Ball Bearing
Housing Material	Stamped Steel
Expansion / Non-expansion	Non-expansion
Mounting Bolts	8.7 Millimeter
Relubricatable	No



NTK BEARING CORP. OF CANADA LTD.

Insert Part Number	RAE20NPPB
Seals	Double Lip Contact
Housing Configuration	1 Piece Solid
Pilot Configuration	No Pilot
Inch - Metric	Metric
Long Description	2 Bolt Flange Block; 20MM Bore; 71MM Bolt Circle; 71.5MM Bolt Spacing; 1 Piece Solid; Eccentric Collar Mount; Stamped Steel; Ball Bearing; 31MM Length Thru Bore; No Relubricatable; Double Lip Contact
Other Features	Single Row With Set Screw
Category	Flange Block
UNSPSC	31171501
Harmonized Tariff Code	8483.20.40.40
Noun	Bearing
Keyword String	Flanged
Manufacturer URL	http://www.ina.com
Manufacturer Item Number	RAT20
Weight / LBS	0.595
Cartridge Pilot Depth	0 Inch 0 Millimeter
Nominal Bolt Circle Diameter Round	2.8 Inch 71 Millimeter
Bolt Spacing	2.815 Inch 71.5 Millimeter
Length Thru Bore	1.22 Inch 31 Millimeter
Cartridge Pilot Diameter	0 Inch 0 Millimeter
Bore	0.787 Inch 20 Millimeter