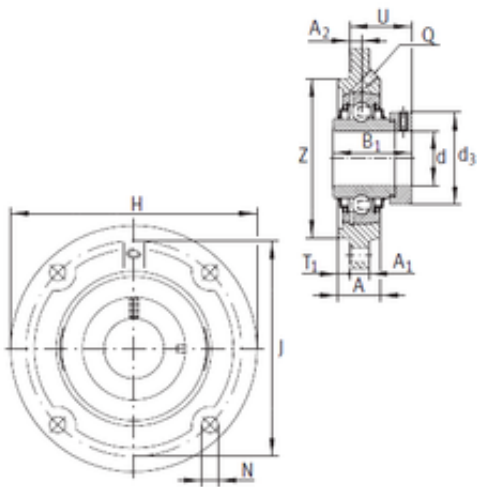




# NTK BEARING CORP. OF CANADA LTD.



RFE50-N Bearing 2D drawings and 3D CAD models

## INA RFE50-N Flange-Mount Ball Bearing Units

Bearing No. RFE50-N

Bore Diameter	50 mm
d	50 mm
U	50,6 mm
Thread (Q)	Rp1/8
T1	4 mm
Z	115 mm
d3	69 mm
A	27,5 mm
A1	13 mm
B1	62,8 mm
H	165 mm
J	136 mm
N	14 mm
A2	12,5 mm
Weight	2,48 Kg
Basic dynamic load rating (C)	35 kN
Category	Flange Block Bearings
Inventory	0.0
Manufacturer Name	SCHAEFFLER GROUP
Minimum Buy Quantity	N/A
Weight / Kilogram	2.934
Product Group	M06110
Number of Mounting Holes	4
Mounting Method	Eccentric Collar
Housing Style	4 Bolt Round Flange Block
Rolling Element	Ball Bearing



## NTK BEARING CORP. OF CANADA LTD.

Housing Material	Cast Iron
Expansion / Non-expansion	Non-expansion
Mounting Bolts	14 Millimeter
Relubricatable	Yes
Insert Part Number	GE50KRRB
Seals	Double Land Riding Rubber Contact
Housing Configuration	1 Piece Solid
Pilot Configuration	No Pilot
Inch - Metric	Metric
Long Description	4 Bolt Round Flange Block; 50MM Bore; 138MM Bolt Circle; 95.5MM Bolt Spacing; 1 Piece Solid; Eccentric Collar Mount; Cast Iron; Ball Bearing; 62.8MM Length Thru Bore; Relubricatable; Double Land Ridin
Other Features	Single Row   Centering Spigot   With Set Screw
Category	Flange Block
UNSPSC	31171501
Harmonized Tariff Code	8483.20.40.40
Noun	Bearing
Keyword String	Flanged
Manufacturer URL	<a href="http://www.ina.com">http://www.ina.com</a>
Manufacturer Item Number	RFE50N
Weight / LBS	5.467
Cartridge Pilot Diameter	0 Inch   0 Millimeter
Cartridge Pilot Depth	0 Inch   0 Millimeter
Bolt Spacing	3.8 Inch   95.5 Millimeter
Bore	1.969 Inch   50 Millimeter
Nominal Bolt Circle Diameter Round	5.4 Inch   138 Millimeter



# NTK BEARING CORP.OF CANADA LTD.

Length Thru Bore	2.472 Inch   62.8 Millimeter
------------------	------------------------------