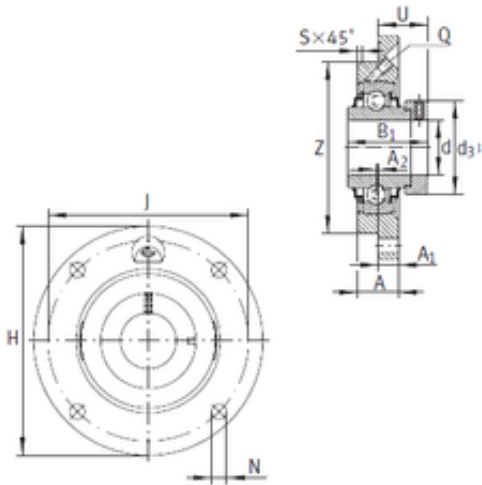




# NTK BEARING CORP. OF CANADA LTD.



RME40-N Bearing 2D drawings and 3D CAD models

## INA RME40-N Flange-Mount Ball Bearing Units

Bearing No. RME40-N

Bore Diameter	40 mm
d	40 mm
U	33,9 mm
Thread (Q)	M6
Z	100 mm
d3	58 mm
A	23 mm
A1	11,5 mm
B1	56,5 mm
H	145 mm
J	120 mm
N	11,5 mm
S	2 mm
A2	1 mm
Weight	1,74 Kg
Basic dynamic load rating (C)	32,5 kN
Category	Flange Block Bearings
Inventory	0.0
Manufacturer Name	SCHAEFFLER GROUP
Minimum Buy Quantity	N/A
Weight / Kilogram	2.084
Product Group	M06110
Number of Mounting Holes	4
Mounting Method	Eccentric Collar
Housing Style	4 Bolt Round Flange



## NTK BEARING CORP. OF CANADA LTD.

	Cartridge
Rolling Element	Ball Bearing
Housing Material	Cast Iron
Expansion / Non-expansion	Non-expansion
Mounting Bolts	11.5 Millimeter
Relubricatable	Yes
Insert Part Number	GE40KRRB
Seals	Double Land Riding Rubber Contact
Housing Configuration	1 Piece Solid
Pilot Configuration	With Pilot
Inch - Metric	Metric
Long Description	4 Bolt Round Flange Cartridge; 40MM Bore; 120MM Bolt Circle; 84.9MM Bolt Spacing; 1 Piece Solid; Eccentric Collar Mount; Cast Iron; Ball Bearing; 56.3MM Length Thru Bore; Relubricatable; Double Land R
Other Features	Single Row   Centering Spigot   End Cap   With Set Screw
Category	Flange Block
UNSPSC	31171501
Harmonized Tariff Code	8483.20.40.40
Noun	Bearing
Keyword String	Flanged
Manufacturer URL	<a href="http://www.ina.com">http://www.ina.com</a>
Manufacturer Item Number	RME40N
Weight / LBS	3.837
Bore	1.575 Inch   40 Millimeter
Length Thru Bore	2.217 Inch   56.3 Millimeter
Cartridge Pilot Diameter	3.937 Inch   100 Millimeter
Bolt Spacing	3.3 Inch   84.9 Millimeter



## NTK BEARING CORP.OF CANADA LTD.

Nominal Bolt Circle Diameter Round	4.7 Inch   120 Millimeter
Cartridge Pilot Depth	0.374 Inch   9.5 Millimeter