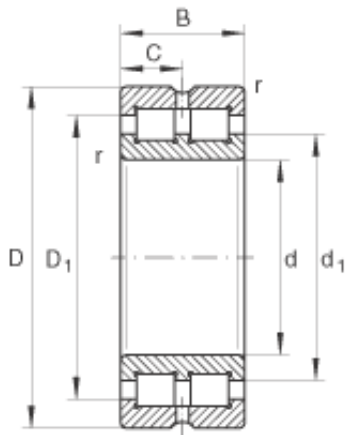




# NTK BEARING CORP. OF CANADA LTD.



## 150 mm x 210 mm x 60 mm INA SL014930 Cylindrical Roller Bearings

Bearing No. SL014930

SL014930 Bearing 2D drawings and 3D CAD models

Size	150x210x60 mm
Bore Diameter	150 mm
Outer Diameter	210 mm
Width	60 mm
d	150 mm
D	210 mm
B	60 mm
C	30 mm
D <sub>1</sub>	187,2 mm
d <sub>1</sub>	171,8 mm
r <sub>min</sub>	2 mm
	NNC4930V / Designation to DIN 5412
m	6,65 kg / Weight
C <sub>r</sub>	410000 N / Dynamic load rating (radial)
C <sub>0r</sub>	820000 N / Static load rating (radial)
C <sub>ur</sub>	104000 N / Fatigue limit load, radial
n <sub>G</sub>	1790 1/min / Limiting speed
Category	Cylindrical Roller Bearings
Inventory	0.0
Manufacturer Name	SCHAEFFLER GROUP
Minimum Buy Quantity	N/A
Weight / Kilogram	7.97



## NTK BEARING CORP. OF CANADA LTD.

Product Group	B04144
Bore Profile	Straight
Cage Material	None
Precision Class	RBEC 1   ISO P0
Number of Rows of Rollers	Double Row
Separable	No
Rolling Element	Cylindrical Roller Bearing
Profile	Complete with Outer and Inner Ring
Snap Ring	No
Internal Clearance	C0-Medium
Retainer	No
Relubricatable	Yes
Inch - Metric	Metric
Other Features	Full Complement   3 Rib Inner Ring   2 Rib Outer Ring   Operating Temperature From -30 to 120 Deg
Long Description	150MM Bore; Straight Bore Profile; 210MM Outside Diameter; 60MM Width; RBEC 1   ISO P0; Double Row; Not Separable; No Snap Ring; Relubricatable; C0-Medium Internal Clearance; No Retainer
Category	Cylindrical Roller Bearing
UNSPSC	31171547
Harmonized Tariff Code	8482.50.00.00
Noun	Bearing
Manufacturer URL	<a href="http://www.ina.com">http://www.ina.com</a>
Manufacturer Item Number	SL014930
Weight / LBS	17.556
Width	2.362 Inch   60 Millimeter
Outside Diameter	8.268 Inch   210 Millimeter



# NTK BEARING CORP. OF CANADA LTD.

Bore	5.906 Inch   150 Millimeter
------	-----------------------------