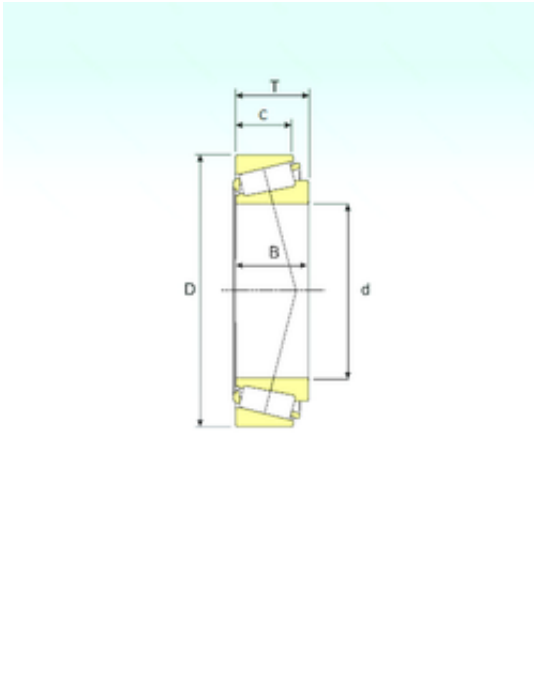




NTK BEARING CORP. OF CANADA LTD.



32048 Bearing 2D drawings and 3D CAD models

32048 Cam Follower And Track Roller

Bearing No. 32048

Size	240x360x76 mm
Bore Diameter	240 mm
Outer Diameter	360 mm
Width	76 mm
d	240 mm
D	360 mm
T	76 mm
B	76 mm
C	57 mm
Weight	27,5 Kg
Basic dynamic load rating (C)	916 kN
Basic static load rating (C0)	1764 kN
(Grease) Lubrication Speed	1224 r/min